



TAC
1354 Clifford Avenue
P. O. Box 2940
Loves Park, IL 61132-2940
www.tac.com

AL-170 Series AL-180 Series

Solenoid Air Valves General Instructions

APPLICATION

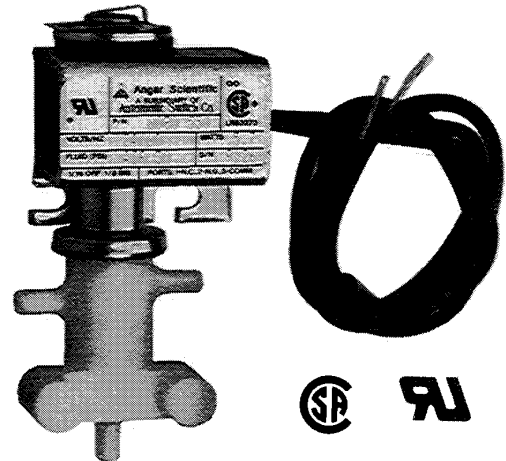
For applications where an electrical circuit is used to control a pneumatically-operated device. Used to direct supply air to a pneumatic device when the coil is energized or de-energized, depending on the supply and exhaust air connects.

FEATURES

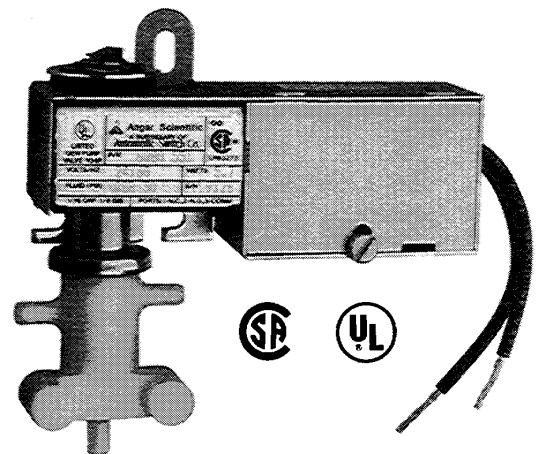
- Open frame or junction box construction accommodates a wide variety of NEMA 1 mounting locations.
- Available in 24, 120, 208, 240, or 480 Vac models.
- Supplied with 18" electrical leads for ease of installation.
- Corrosion-resistant plastic body.
- Barbed fittings for 1/4" O.D. plastic tubing.

APPLICABLE LITERATURE

- TAC Cross-Reference Guide F-23638
- TAC Reference Manual F-21683
- TAC Application Manual F-21335
- EN-123 Air Quality Requirements for Pneumatic HVAC Control Systems F-22516



AL-170



AL-180

SPECIFICATIONS

Valve Inputs

Power Input: 6.5 Watts (energized).
Voltage: For available voltages, see Table-1.
Electrical Connections: 18" (457 mm) leads on the coil.
Maximum Inlet Air Pressure: 30 psig (207 kPa). Clean, dry, oil free air is required (reference EN-123).
Air Connections: Three plastic ferrules included for plastic 1/4" tubing (PKG-1141).
N.C.: Normally closed, port 1.
N.O.: Normally open, port 2.
COM: Common, port 3.

Valve Outputs

Flow Capacity: 0.3 scfm (142 ml/s) at 15 psig (103 kPa) supply with 1 psig (6.9 kPa) drop.

Environment

Ambient Temperature Limits:
Shipping, -40 to 150°F (-40 to 65°C).
Operating, 40 to 130°F (4 to 54°C).
Supply Air, 40 to 130°F (4 to 54°C).
Humidity: 5 to 95% RH, non-condensing.
Location: NEMA Type 1.
Mounting: Vertical with solenoid at top (as shown).

Solenoid		Voltage (AC 60 Hz)	TAC Replacement Part Numbers
Open Frame	J-Box		
AL-170	AL-180	24	PNR-325-24
AL-171	AL-181	120	PNR-325-120
N/A	AL-182	208	PNR-325-208
N/A	AL-183	240	PNR-325-240
N/A	AL-185	480	PNR-325-480

ACCESSORIES None

TYPICAL APPLICATIONS

When power is supplied to the exhaust fan, the fan runs, and the solenoid air valve is energized, closing port 2 and passing main air from port 1 through port 3 to damper actuator, which opens the normally-closed exhaust damper.

When power is removed from the fan, the fan stops, and the solenoid air valve is de-energized, closing port 1 and bleeding air from the damper actuator through port 3 and out port 2 to atmosphere, closing the exhaust damper.

Figure 1 illustrates a typical application diagram for the AL-170 solenoid air valve.

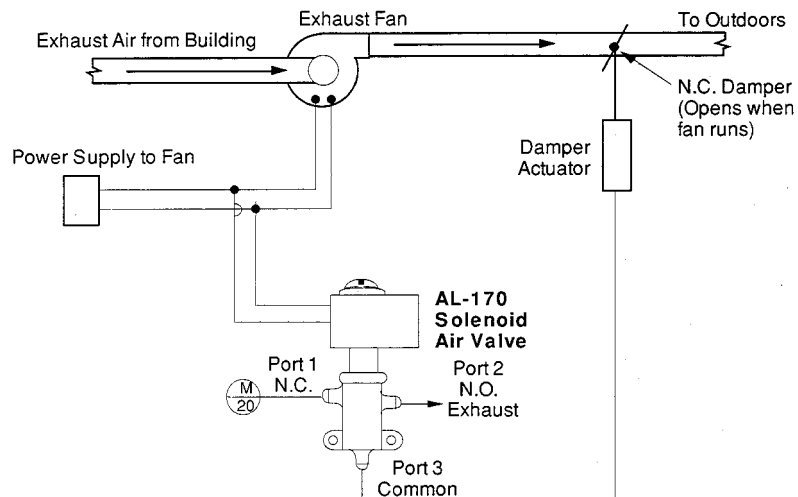


Figure-1 Typical Application Diagram.

INSTALLATION

Inspection

Inspect the carton for damage. If damaged, notify the appropriate carrier immediately. Inspect the device for obvious damage. Return damaged products.

Requirements

- Job wiring diagrams
- Tools (not provided)
- Training:
Installer must be a qualified experienced technician.

Warning: Disconnect the power supply (line power) before installation to prevent electrical shock and equipment damage.



Caution: Make all connections in accordance with the wiring diagram and in accordance with national and local electrical codes. *Use copper conductors only.*
Do not exceed ratings of the devices.
Avoid locations where excessive moisture, corrosive fumes, or vibration is present.

Mounting

Remote Mounting

Warning: This method requires the use of the enclosure on the coil. An integral mounting plate is provided.

1. Fasten to wall or duct with two #8 sheet metal screws or equivalent.
2. Rotate the solenoid enclosure to position the wiring compartment, if necessary.

Warning: Do not over-tighten as this may cause distortion of plunger tube or damage coil.

CHECKOUT

Go, No Go Test

1. Connect solenoid ports to plastic tubing.
2. Apply air to port 3. Ports 3 and 2 should be connected.
3. Apply power to the solenoid. Ports 3 and 1 should be connected.
4. If ports 3 and 1 are not connected, check to see if the proper voltage is applied.
5. Replace the solenoid with a functional unit if solenoid is powered and ports 3 and 1 are not connected.

MAINTENANCE

Regular maintenance of the total system is recommended to assure sustained optimum performance.

FIELD REPAIR

None. Replace with a functional solenoid.

DIMENSIONAL DATA

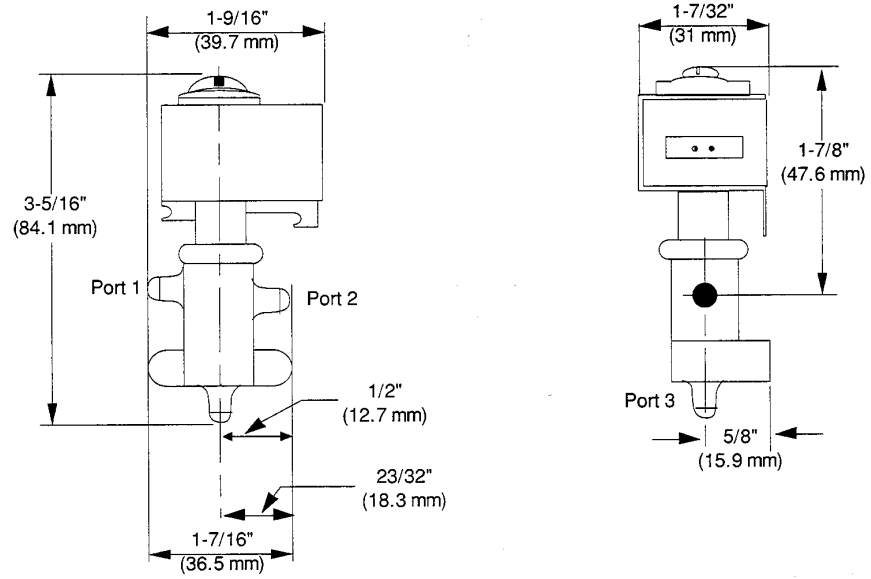


Figure-2 AL-170 Dimensional Drawing.

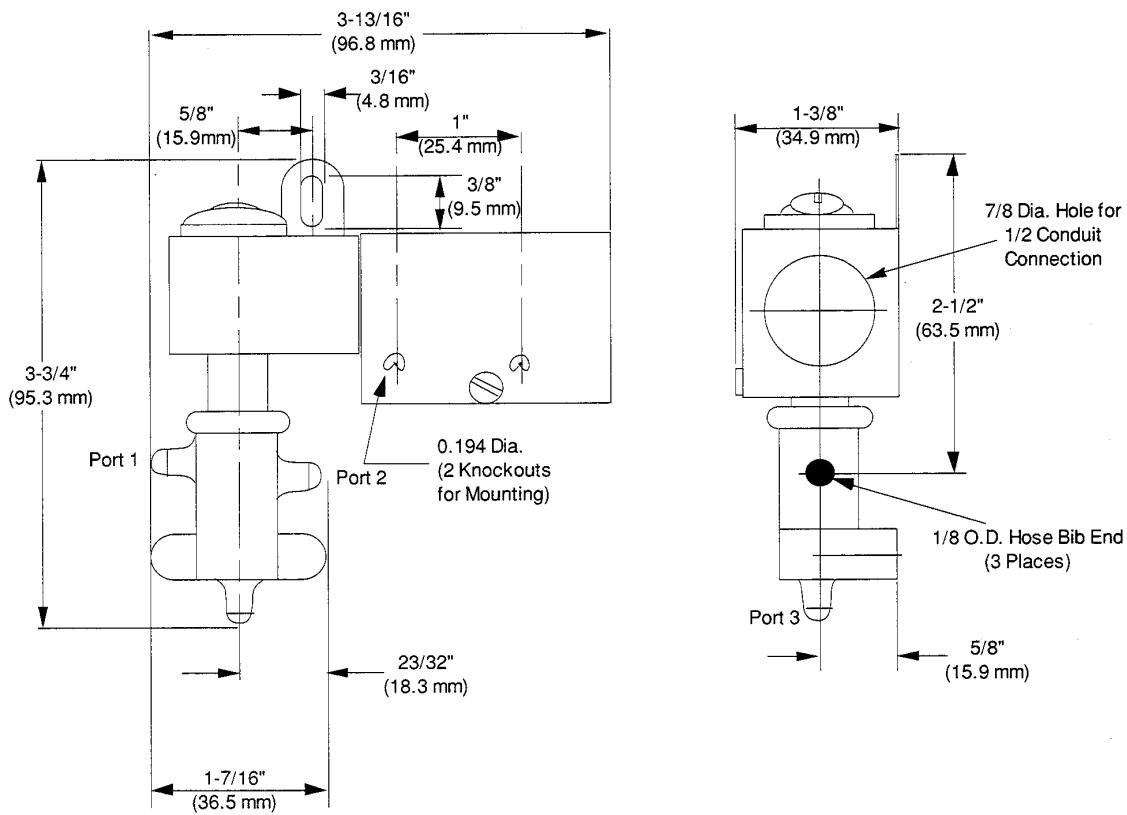


Figure-3 AL-180 Dimensional Drawing.

Copyright 2006, TAC
 All brand names, trademarks and registered trademarks are the property of their respective owners. Information contained within this document is subject to change without notice.

TAC
 1354 Clifford Avenue
 P.O. Box 2940
 Loves Park, IL 61132-2940

F-24748-1



www.tac.com

